

Recirculation Pump for Swimming Pool  
Filter Systems

## Filtra N

### Type Series Booklet



## **Legal information/Copyright**

Type Series Booklet Filtra N

All rights reserved. The contents provided herein must neither be distributed, copied, reproduced, edited or processed for any other purpose, nor otherwise transmitted, published or made available to a third party without the manufacturer's express written consent.

Subject to technical modification without prior notice.

© 24/03/2022

---

## Contents

<b>Domestic Water Supply / Swimming Pools.....</b>	<b>4</b>
Recirculation Pumps for Swimming Pool Filtering Systems.....	4
Filtration N .....	4
Main applications.....	4
Fluids handled .....	4
Operating data.....	4
Design details .....	4
Designation .....	5
Materials.....	5
Product benefits.....	5
Product information .....	5
Technical data .....	6
Characteristic curves.....	7
Dimensions .....	8
Scope of supply .....	8
Exploded view and list of components.....	9

## Domestic Water Supply / Swimming Pools

### Recirculation Pumps for Swimming Pool Filtering Systems

# Filtra N



#### Drive

- Surface-cooled
- Enclosure IP44
- Thermal class F

#### Single-phase AC motor:

- 230 V
- Temperature switch with automatic reset and start-up

#### Three-phase motor:

- 230/400 V

#### Shaft seal

- Mechanical seal

#### Bearings

- Motor runs in grease-lubricated rolling element bearings

#### Main applications

- Swimming pools

#### Fluids handled

- Clear water
- Swimming pool water<sup>1)</sup>
- **Not suitable for seawater (35 g/l)**

#### Operating data

Table 1: Operating properties

Characteristic	Value	
Flow rate	Q [m <sup>3</sup> /h]	≤ 36
	Q [l/s]	≤ 10
Head	H [m]	≤ 21
Fluid temperature	T [°C]	≤ +35
Operating pressure	p <sub>d</sub> [bar]	≤ 2,5

#### Design details

##### Design

- Centrifugal pump
- Single-stage
- Self-priming
- Horizontal installation
- Integrated pre-filter consisting of a filter basket with intermediate pipe; the filter can be hinged open in the middle to facilitate cleaning.

<sup>1</sup> Swimming pool water (0.4 to 1.4 mg/l free chlorine, max. 0.6 mg/l combined chlorine, pH 6.9 to 7.7, water hardness 10 to 30 °dH, max. salt content 7 g/l)

## Designation

### Example: Filtra N 6 E

Table 2: Designation key

Code	Description	
Filtra N	Type series	
6	Size / rated flow	
	6	6 m <sup>3</sup> /h
	8	8 m <sup>3</sup> /h
	12	12 m <sup>3</sup> /h
	14	14 m <sup>3</sup> /h
	18	18 m <sup>3</sup> /h
	22	22 m <sup>3</sup> /h
	24	24 m <sup>3</sup> /h
	30	30 m <sup>3</sup> /h
E	Drive	
	D	Three-phase motor
	E	Single-phase AC motor

## Materials

Table 3: Overview of available materials

Part No. (⇒ Page 9)	Description	Material
101	Pump casing	Polypropylene, 30 % glass fibre reinforced with stainless steel ring
171	Diffuser	Polypropylene, 30 % glass fibre reinforced
230	Impeller	Noryl GFN2
160	Cover	PMMA
210	Shaft	Chrome steel 1.4028
801	Motor housing	Aluminium
160	Discharge cover	Polypropylene, 30 % glass fibre reinforced

## Product benefits

- Corrosion-proof thanks to pump casing made of impact-resistant plastic material
- Maintenance-free and reliable due to mechanical seal
- Energy-efficient and low-noise operation of single-phase AC motor with integrated overload protection or three-phase motor
- Low-clogging, hinged filter basket of patented design

## Product information

### Product information as per Regulation No. 1907/2006 (REACH)

For information as per chemicals Regulation (EC) No. 1907/2006 (REACH), see <https://www.ksb.com/ksb-en/About-KSB/Corporate-responsibility/reach/>.

Technical data

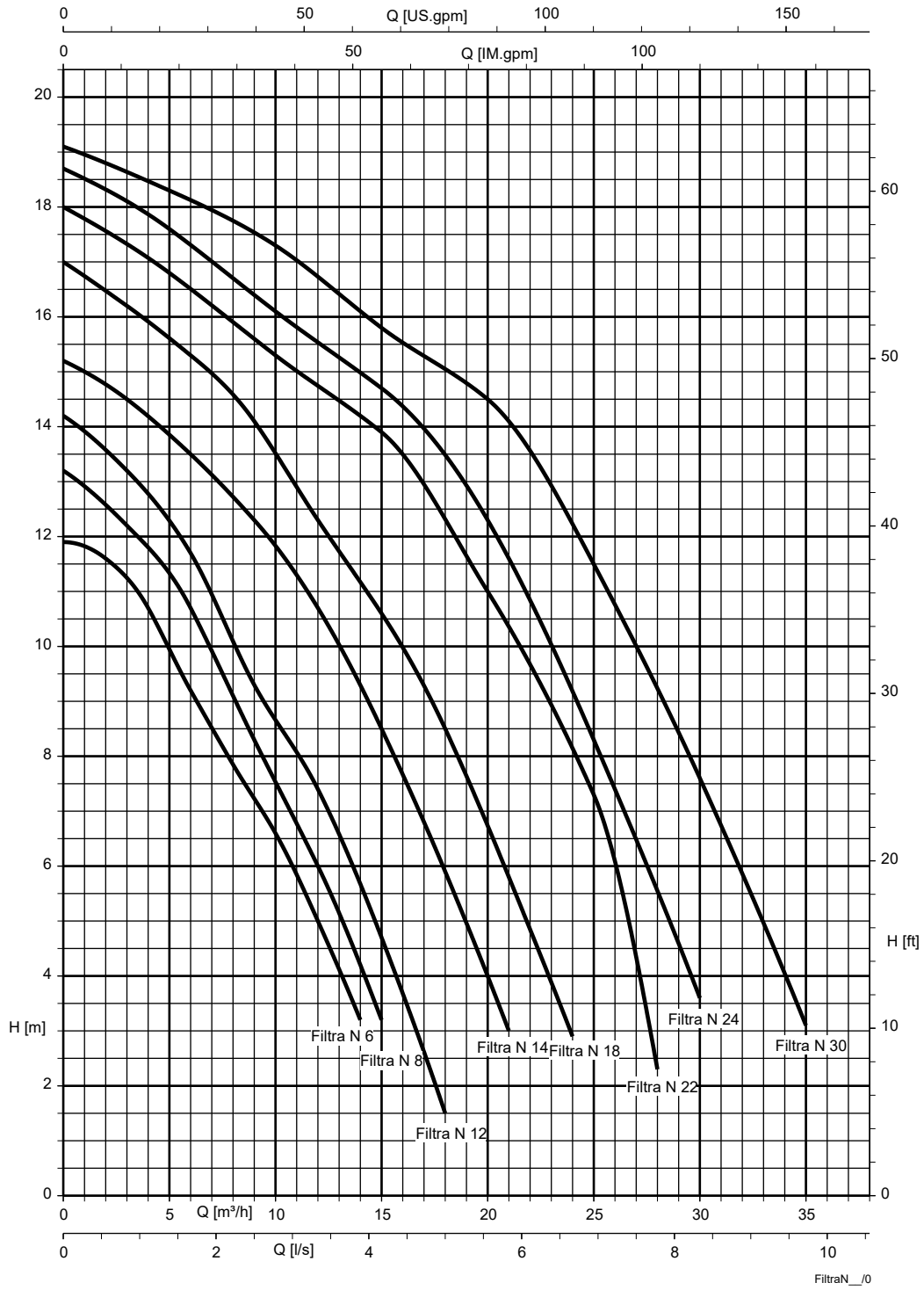
Filtra N

Table 4: Technical data

Size	Connection		P <sub>1</sub>	P <sub>N</sub>	I <sub>N</sub>			Mat. No.	[kg]
	Suction side	Discharge side			1~230 V, 50 Hz	3~230 V, 50 Hz	3~400 V, 50 Hz		
			[kW]	[kW]	[A]	[A]	[A]		
6 E	G 2	G 2	0,65	0,40	3,0	-	-	39300050	9,2
6 D	G 2	G 2	0,56	0,55	-	1,9	1,1	48242859	9,2
8 E	G 2	G 2	0,70	0,40	3,2	-	-	39300051	9,2
8 D	G 2	G 2	0,61	0,55	-	2,1	1,2	48242860	9,2
12 E	G 2	G 2	0,80	0,40	3,6	-	-	39300052	9,2
12 D	G 2	G 2	0,66	0,55	-	2,3	1,3	48242861	9,2
14 E	G 2	G 2	0,95	0,70	4,5	-	-	39300053	11
14 D	G 2	G 2	0,80	0,75	-	2,8	1,6	48242862	11
18 E	G 2	G 2	1,15	0,70	5,5	-	-	39300054	11
18 D	G 2	G 2	0,97	0,75	-	3,1	1,8	48242863	11
22 E	G 2	G 2	1,50	1,20	7,0	-	-	39300055	13,3
22 D	G 2	G 2	1,40	1,10	-	4,3	2,5	48242864	13,3
24 E	G 2	G 2	1,75	1,20	8,0	-	-	39300056	13,3
24 D	G 2	G 2	1,60	1,10	-	4,8	2,8	48242865	13,3
30 D	G 2	G 2	2,05	1,10	-	5,5	3,2	48242866	13,3

Characteristic curves

Filtra N 6/8/12/14/18/22/24/30, n = 2800 rpm



## Dimensions

### Filtra N

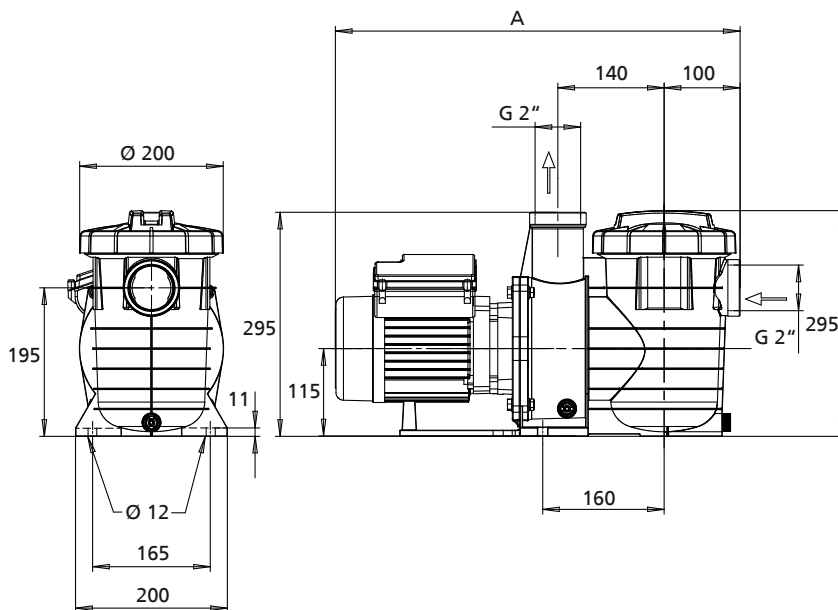


Fig. 1: Filtra N

Table 5: Dimensions [mm]

Filtra N	A
	[mm]
6, 8, 10, 12, 14, 18	512,5
22, 24, 30	534

### Scope of supply

Depending on the model, the following items are included in the scope of supply:

- Pump set

### Accessories

Further required accessories can be purchased from our distributors.



Exploded view and list of components

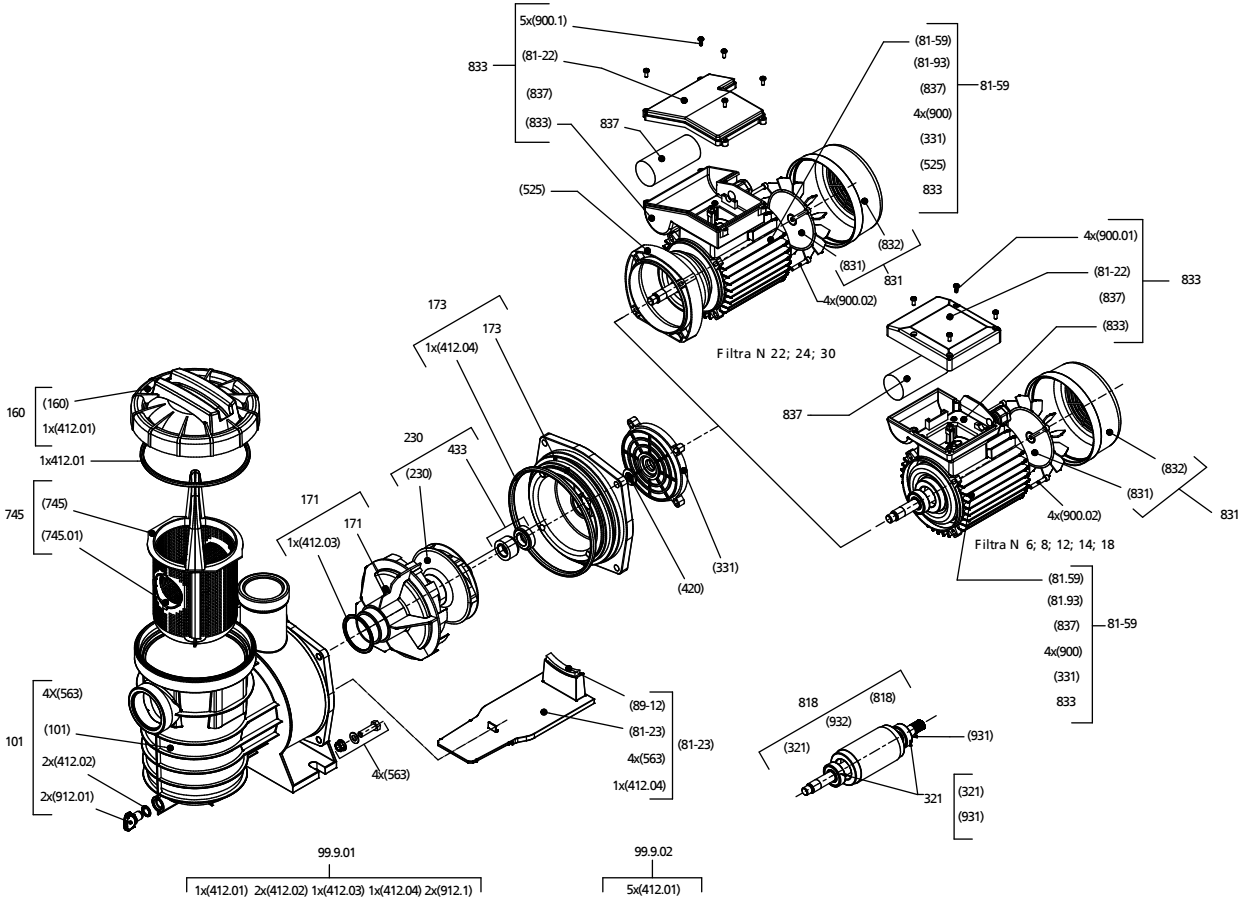


Fig. 2: Exploded view

Table 6: List of components

Part No.	Description	Part No.	Description
101	Pump casing	81-23	Support foot
160	Cover	81-59	Stator
171	Diffuser	81-93	Protective switch
173	Diffuser wall	818	Rotor
230	Impeller	831	Fan impeller
321	Radial ball bearing	833	Terminal box
412.01	Bonnet gasket	837	Capacitor
433	Mechanical seal	99-9	Sealing elements and screws
745	Filter basket		







**KSB SE & Co. KGaA**  
Johann-Klein-Straße 9 • 67227 Frankenthal (Germany)  
Tel. +49 6233 86-0  
[www.ksb.com](http://www.ksb.com)